

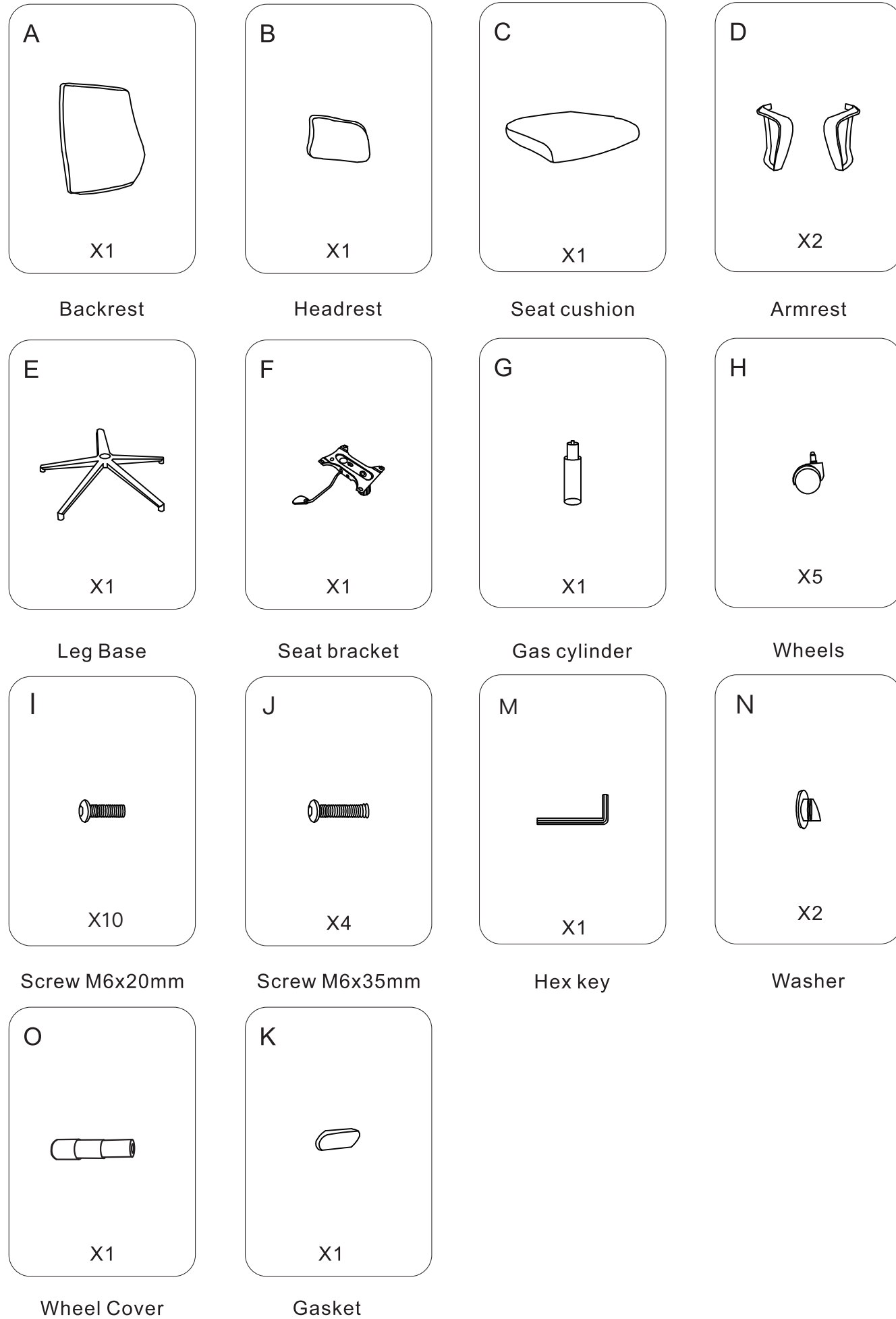
FLEXISPOT



Model: OC7B/OC7U
Instruction Manual

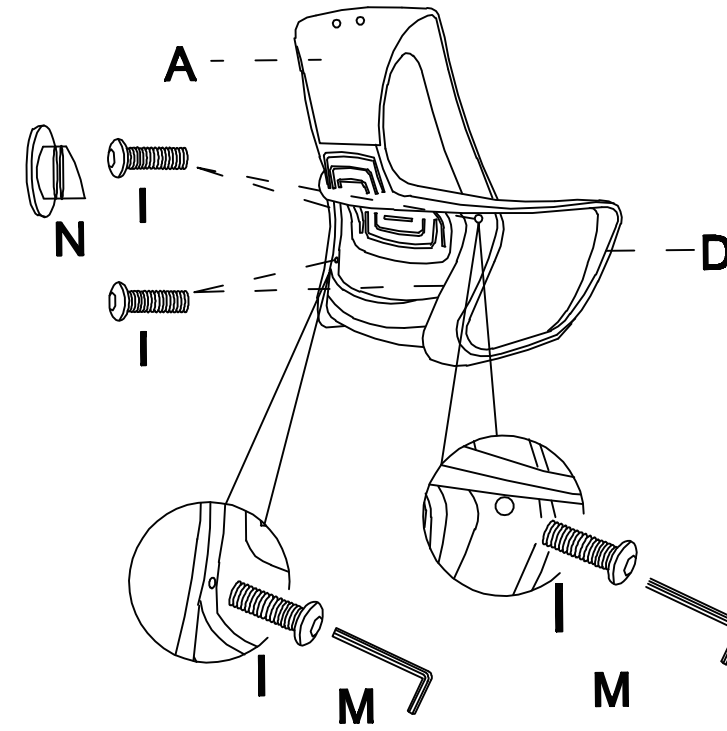
Website: <https://www.flexispot.com/>
Email: contact@flexispot.com
Business hours: Monday-Friday 9:00-17:00 (PST)

Parts Included



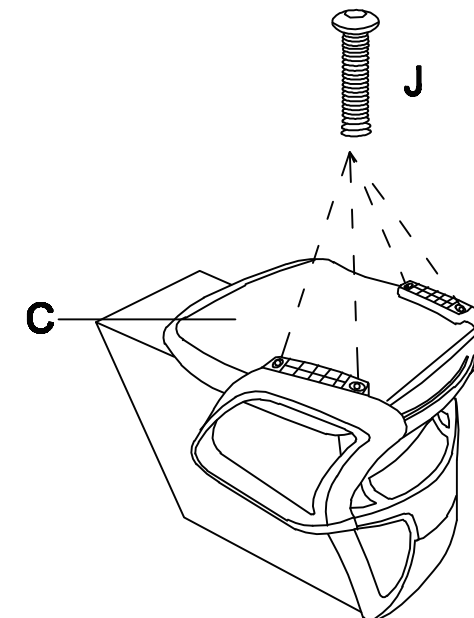
Step 1

Using the hexagon wrench, screw in the armrest to the backrest using the indicated screws in the photo.



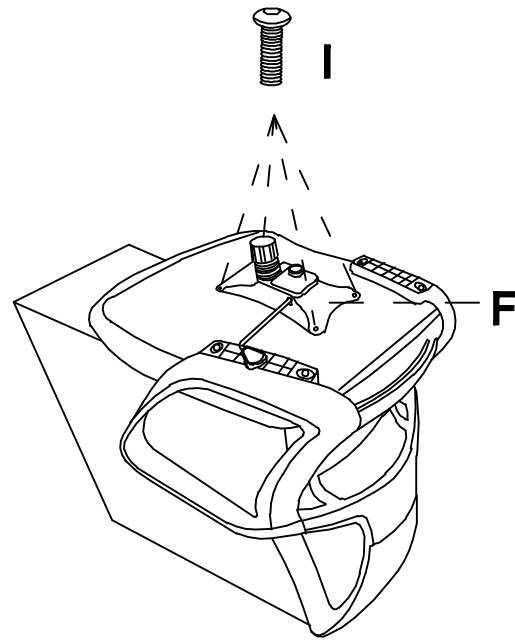
Step 2

Once secure, flip over your chair to attach the seat cushion using the indicated screws.



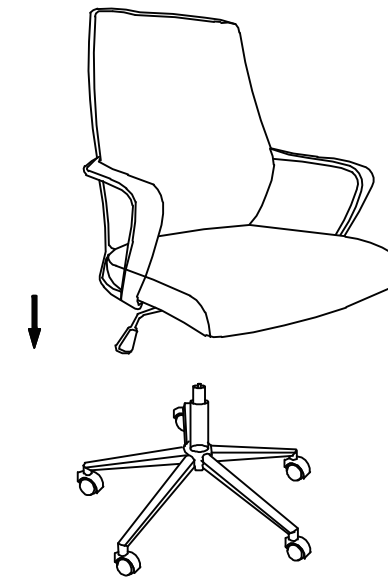
Step 3

Maintain position of the chair and attach lever mechanism to the center of the seat cushion and put aside.



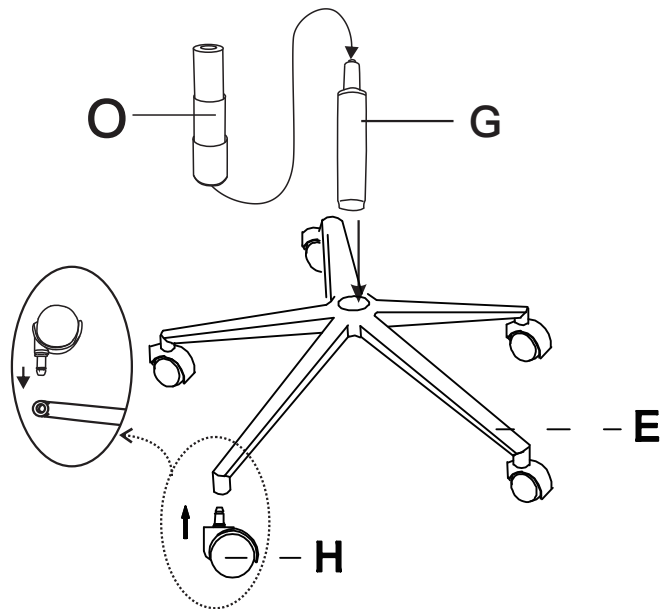
Step 5

Attach chair to the base of the chair by simply pushing down.



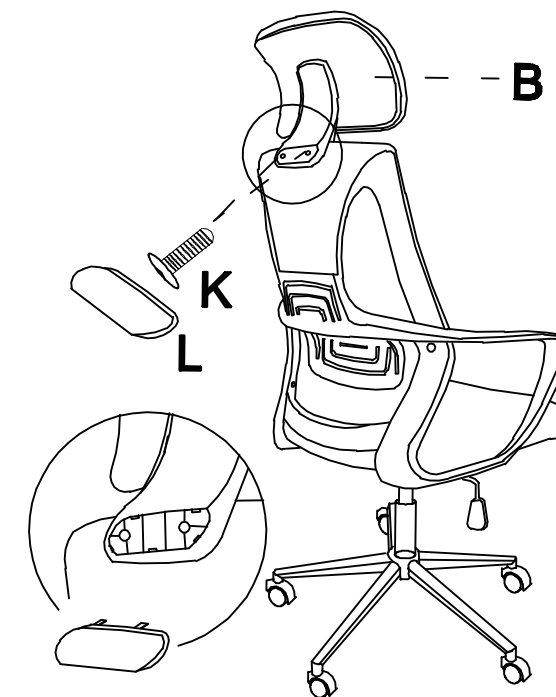
Step 4

Assemble the base of the chair by first pushing the wheels into to the base. Next push down the gas lift on the top portion of the base.



Step 6

To attach the headrest, open a tiny compartment on the backrest to reveal inserts, attach headrest using the indicated screws in the photo.





Precautions

- Avoid places exposed to direct sunlight and places with high temperatures, humidity and dryness.
- Do not use on slippery floors.
- Do not use for any purpose other than its intended purpose.
- Regularly retighten the bolts and screws every 2 months.
- Do not use with loose bolts and screws.
- Do not climb on the seat surface. It may cause falls and accidents.
- Be careful not to get your hands or feet caught in the moving parts.
- To remove significant dirt, use a diluted neutral detergent.
- Please do not sit on the seat surface with excessive force. If you sit down vigorously, or with a load of 3 to 4 times your weight the chair may be destroyed.
- Do not sit with more than one person at the same time.
- If even one of the parts including each adjustment bolt, screw, etc. is lost, damaged, or worn out, do not use it until the repair with genuine parts is completed.

*If you do not use the product according to the above precautions, there is a danger of causing a serious accidents or injuries.